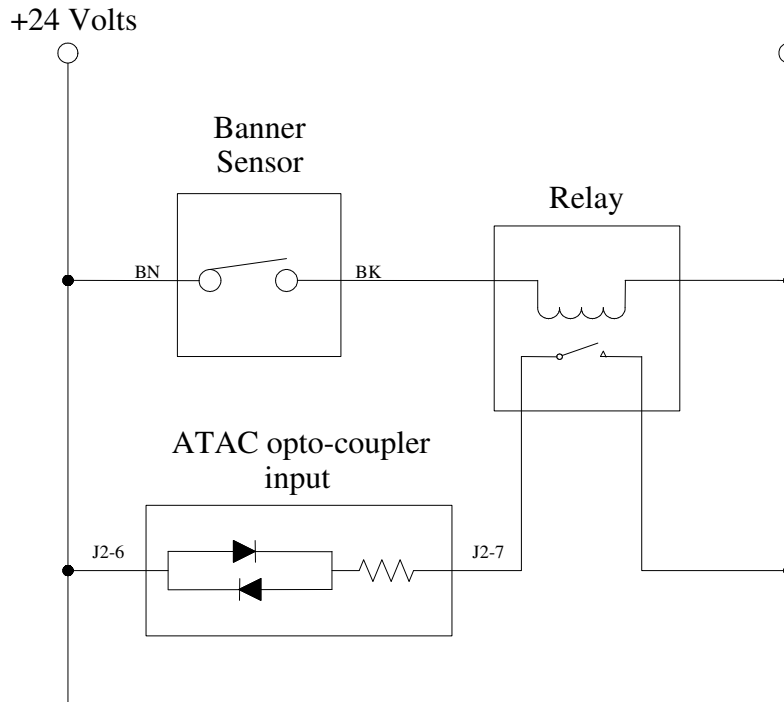


### □ Photo Sensor Interconnection

The **Universal Input** allows remote operation of the **Operate/Hold** function. Any voltage, AC or DC, from 5 volts RMS minimum to 120 volts RMS maximum applied to terminals listed below will put the unit into Hold mode. The diagram below shows using a Banner sensor and mechanical relay with +24 volts being supplied as the power source.



Atac version 7.9.2 shown

#### Note(s):

Turn DP-SW 1 to off position.

Turn DP-SW 9 to on to enable soft start.

Be sure to use J2-5 and J2-6 on Version 7.9.1 ATAC.

Be sure to use J2-6 and J2-7 on Version 7.9.2 ATAC.

**DO NOT USE CONTACT CLOSURE CONNECTIONS.**

A 10-30 volt power supply is needed. This may be attached to the inside of the ATAC box. 12 or 24 volts may be more convenient.

Use a mechanical relay. Isolation is needed. Using a solid state relay in this case may cause the unit to remain on constantly.