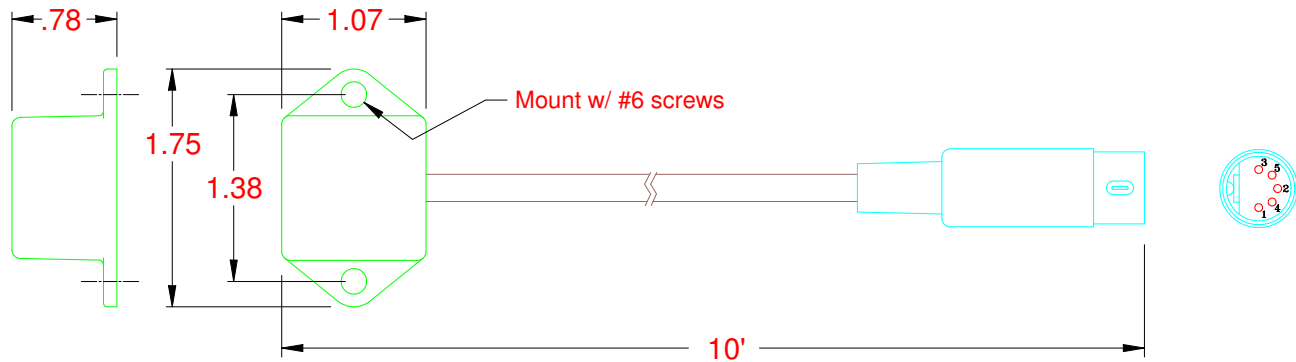


Atac™

Standard Motion Sensor Assembly

for the Active Tuning Amplitude Controller

By **TS ENGINEERING, INC.**



Reference the following:

61-1003: Is replaced by and interchangeable with the 61-1016-1L.

61-1016: Is replaced by and interchangeable with the 61-1016-1L.

61-1003-CE: Is replaced by but not interchangeable with the 61-1016-1L.

61-1016-CE: Is replaced by but not interchangeable with the 61-1016-1L.

61-1003 Sensor Assembly

Data Sheet

TS ENGINEERING, INC.

240 High Street

Washingtonville, Ohio 44490

Phone: (800) 957-4390, (330) 427-0125

Fax: (330) 427-0800

www.tsengineering.com